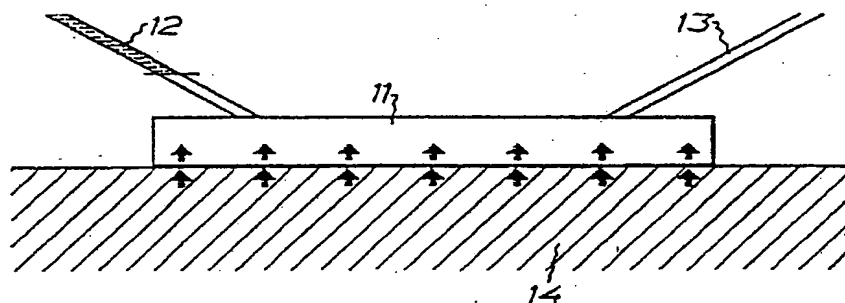




INTERNATIONAL APPLICATION PUBLISHED UNDER THE PATENT COOPERATION TREATY (PCT)

<p>(51) International Patent Classification³: A61F 13/00; A61M 35/00; B05C 1/00</p>	<p>A1</p>	<p>(11) International Publication Number: WO 80/01139 (43) International Publication Date: 12 June 1980 (12.06.80)</p>
<p>(21) International Application Number: PCT/SE79/00246 (22) International Filing Date: 6 December 1979 (06.12.79) (31) Priority Application Number: 7812541-6 (32) Priority Date: 6 December 1978 (06.12.78) (33) Priority Country: SE (71) Applicant, and (72) Inventor: SVEDMAN, Pål [SE/SE]; Sibbarpsvägen 47 A, S-216 11 Malmö (SE). (74) Agents: WALLIN, John et al.; Awapatent AB, Box 5117, S-200 71 Malmö (SE).</p>		<p>(81) Designated States: BR, DE, FR (European patent), GB, JP, US. Published <i>With international search report In English translation (filed in Swedish)</i></p>

(54) Title: DEVICE FOR TREATING TISSUES, FOR EXAMPLE SKIN



(57) Abstract

The device comprises a porous material (11) intended for placing against tissues, for example skin, the material being synthetic or organic and being distinguished by communicating cavities in the form of open pores, interdigitating gaps in particle material or communicating cavities in capillary structures. The material (11) can, by layers, have different cavity qualities and is provided with a dense, sealing shell (10) or layer in which is disposed at least one fluid supply connection (12) and at least one fluid removal connection (13) in spaced apart relationship. Conduits are coupled to the connections (12, 13) and permit the establishment of treatment fluid flow from the supply connection (12), through the cell material (11) in contact with the tissue, to the removal connection (13). Fluid supply can be effected under pressure and/or fluid removal under suction. Electrodes can be disposed in the cell material (11) for sensing the fluid saturation degree, and with the possibility of registering and/or regulating this saturation degree by means of valves. Temperature sensors may be provided in the supply conduit or in the cell material (11) and may be connected to temperature regulator means. Fluid-impervious walls may be provided in the cell material (11) for guiding the treatment fluid flow. The cell material may have one or several replaceable layers.

FOR THE PURPOSES OF INFORMATION ONLY

Codes used to identify States party to the PCT on the front pages of pamphlets publishing international applications under the PCT

AT	Austria	LU	Luxembourg
BR	Brazil	MC	Monaco
CF	Central African Republic	MG	Madagascar
CG	Congo	MW	Malaŵi
CH	Switzerland	NL	Netherlands
CM	Cameroon	RO	Romania
DE	Germany, Federal Republic of	SE	Sweden
DK	Denmark	SN	Senegal
FR	France	SU	Soviet Union
GA	Gabon	TD	Chad
GB	United Kingdom	TG	Togo
JP	Japan	US	United States of America

DEVICE FOR TREATING TISSUES, FOR EXAMPLE SKIN

The present invention relates to a device for treating tissues, for example skin, comprising a porous material intended to abut against the tissue and a fluid-impervious shell or layer which covers at least some of the material.

The object of the present invention is to realize a device which makes possible a considerably more easily handleable and, for the patient, more comfortable device for treating ulcers and skin injuries or the like, which entails rapid healing under conditions which are safe with regard to the risk of infection. This object is achieved by means of a device which is characterised in that the porous material consists of at least one cell material with open pores, and that the shell or layer has at least one connection for fluid supply and at least one connection for fluid removal in spaced apart relationship, in order, by means of conduits coupled to the connections, to establish a treatment fluid flow from the supply connection, through the cell material in contact with the skin, to the removal connection.

The invention will be described in greater detail below with reference to accompanying drawings which schematically illustrate embodiments of the invention.

Fig. 1 is top plan view of a simple embodiment of the invention and

Fig. 2 is a section taken along the line II-II in Fig. 1.

Figs. 3, 4 and 5 show the device in operation and illustrate how the device works on treatment of a tissue.

The device according to the invention consists of a cell material layer 11 with a communicating cavity system and a covering shell or layer 10 of fluid-impervious material. The shell 10 has at least one fluid



supply connection 12 and at least one fluid removal connection 13. Thus, fluid can be supplied by the intermediary of the connection 12, as illustrated by means of arrows 18, and be caused to flow through the cell material 11 and be led off via the connection 13, as shown by means of arrows 19. In order to facilitate fluid passage through the cell material, the fluid can be supplied under pressure and/or be removed by suction. In the supply conduit, there is coupled a regulator member 15 which accommodates a valve means and means for cooling and/or heating the fluid which is supplied to the cell material. A sensor 16 which is arranged to sense fluid saturation in the cell material, is placed therein and connected to the valve means of the regulator member 15 by a conduit 17. Fluid-impervious members 20 are disposed at the transitions of the connections 12, 13 into the cell material in order to guide the flow.

The cell material 11 constitutes a cavity system in the form of cells with open pores or communicating capillary systems, or consists of particles with interposed communicating gaps. The material can be synthetic, e.g. consist of polyurethane or similar plastics material, or may consist of regenerated cellulosic fibres with a binder of, for example, polyester polyamide on fabric. The material may consist of sponge or rubber or contain another type of elastic component. The structure can also be realized by overlaid particles of small size of plastics/glass/ceramics or the like. Organic compounds may be basic materials, for example cellulosic fibres of e.g. dextran polymer particles cross-linked with epichlorohydrin (Sephadex-Debrisan, possibly with glycerin or the like as binder). If particles are used as material, it may be practical to utilize continuous layers with open pores adjacent the skin or tissue layer which is to be treated.

The material can be inert with respect to chemical



substances, biological particles and bacteria. The cell material may contain chemical compounds which reversibly bond, for example, water molecules and which thus actively contribute to the fluid suction capacity. The material can contain compounds which act as catalysts on the treatment effects.

The formed cavity system may be of random disposition or have a preferential major direction. This latter permits guiding the treatment fluid flow. Guiding can also be provided in the pore system by walls which are impermeable to the treatment fluid.

The cavity system may, in layers, have different diameters. Such layers may be structurally different from each other and be replaceable, or structurally merge in each other. One layer may consist of a continuous material and the superjacent of particles. Conceivably, the material may be denser in one region and looser in another with a gradual transition. Commercially, materials of different cavity characteristics may be available.

For certain fields of use, the material needs to be pliable, soft and mouldable, for others a firmer possibly rigid structure is advantageous. The walls are made accordingly, soft to hard, possibly with an elastic component, or rigid. The material can, for example, be cut to suitable format according to certain basic material sizes. Such material can be shaped according to a part of the body. Possibly, the shell or layer can be cupped with a possibility to apply particles between the part of the body and the shell. The porous material surface can be provided with adhesive regions for fixing against adjacent surface layers which are to be treated. As regards the material surface, this should, on its side facing the surface layer which is to be treated, have pores, spaces or capillary systems which establish contact between the surface layer and the cavity system.

The shell or layer can cover larger or smaller



parts of the cell material 11. The shell 10 may be manufactured of, for example, plastics, glass, rubber or other rigid material or consist of a fluid-tight surface layer on the cell material 11. The shell
5 should have a surface tension distributing effect and influence the passage of liquid. The shell also contributes to directing the suction effect or pressure effect in the material and to retaining fluid in place in the material. The shell may have a greater surface
10 area than the cell material so as to make possible abutment against the skin. The shell 10 may possibly be fixed in the porous material at but one or several localized regions and can be a separate unit intended for application above a certain cell material with
15 one or more adhesion points. Furthermore, the shell may be provided with insulation to reduce heat losses into the ambient atmosphere. Suitably, the supply and removal conduits 12, 13 are then also insulated.

The cell material 11 and shell 10 must, for
20 application to humans, be pliable, soft as regards application on irregular ulcerations (see below). As regards application on regions where the skin is intact, a stiffer structure may be advantageous.

The device according to the invention has at least
25 one fluid supply connection 12 and at least one fluid removal connection 13 which are located at a predetermined distance from each other. Factors of importance in determining the suitable mutual spacing are, int.al. the type of treatment fluid, capillary activity, cavity
30 and wall characteristics and the applied pressure/suction. The connections 12, 13 can be designed in different ways. According to one alternative, each connection is formed of a ring of the shell material. The connections can also comprise holes in the shell 10, possibly distributed with
35 suitable spacing, permitting the adaptation of material of standard size to treatment areas of different sizes. The connections 12, 13 can be placed in different parts



of the cell material with respect to the layer which is to be treated and can, furthermore, be movable by means of a simple retention device. The connections can, furthermore, be countersunk in the shell or cell material and be coupled direct or via intermediate connecting pieces to extant conduits. The connections 12, 13 may have passages in their walls where they are in contact with the porous material. The connection conduits can also branch out in the cell material and are suitably reinforced to prevent "throttling" or collapse under suction. The pressure or suction effect can be directed in the cell material by means of one or more walls in the connection regions thereof. Each unit can have several fluid supply connections and fluid removal connections.

The supply and removal conduits can be coupled in an intermediate coupling piece for manual connection to a supply and removal assembly such that the patient himself can start the device and the treatment and continue this process e.g. in order to be able to get out of bed. This entails that the system places no great demands on personnel. Several material units, each one possibly with several connections for pressure/suction, can conceivably be interconnected so that supply of fluid at a certain pressure and/or discharge flow at a certain suction can be effected by means of one and the same manual or automatic control unit.

In the connection conduits, sensors can be provided for flow and temperature, and manometers with a possibility for manual or automatic registration and regulation.

Devices for preventing back flow may be provided, as well as filters. The supply flow is most simply effected by the intermediary of a drip bottle and discharge flow by means of vacuum suction. Automatic drip chambers or the possibility for automatically placing the supply flow under a certain pressure may be provided in accordance with known medical technology.



It is practical to apply a sensor 16 in the cell material in order to sense the fluid saturation degree. This sensor may be based on the principle that the impedance between two electric conductors changes when
5 the liquid concentration between the conductors is altered. The terminal conductor 17 of the sensor 16 comprises wires, and a small regulator unit with a battery as alternative power supply permits registration and, after calibration, automatic regulation of the fluid saturation
10 degree by coupling to the valve means of the regulator member 15. A temperature sensor may be disposed in the cell material and be connected to the means of the regulator member 15 for cooling or heating the fluid.

The device according to the invention permits distribution and demarcation of treatment fluid within a determined area, regulatable treatment fluid flow and regulatable pressure/suction effect. Treatment effects are distributed through open pores vis-à-vis other fluid, other phases or solid material in accordance with the
15 following operational example.
20

On use of the device for, for example, ulcer treatment, the free surface of the cell material 11 facing away from the shell or layer 10 is applied to the tissue which, in Figs. 2-5, is designated 14, and the ulcer
25 in the tissue.

Liquid which is supplied to the cell material 11 will, because of the material structure, be distributed in and restricted to the material in accordance with laws of physics concerning surface tension and capillarity.
30 The sphere of effects embraces liquid molecules, air (gas) and molecules in the wall material. In the material, conceivable states are from no wetting up to complete wetting as shown in Figs. 3-5. The wetting or saturation degree is related to the quantity of capillarily functioning pores. The state which is to be striven for is
35 that which entails the same degree of wetting throughout the entire material.



If there are capillarily functioning, open pores in the cell material 11 facing that skin area which is to be treated, the material will have a certain absorptive force distributed throughout the material surface.

5 The absorptive force will be related to the degree of wetting in the material and to a possible partial vacuum if suction is exercised in the discharge connection 13. The fluid flow in the material is influenced internally by applied pressure or suction and by capillary forces. Caused by pressure/suction influence, the major direction of the fluid flow will be from the supply to the removal connection. Within the different parts of the cell material, the flow direction will be determined by differences in the liquid saturation in adjacent material regions. The liquid will be moved in that direction where liquid saturation is lowest and where, consequently, capillary force is greatest. Substances which are sucked up in the material from adjacent tissue will pass towards regions where liquid saturation is lowest and, finally, towards the discharge suction. If the material is inert, the continuous treatment fluid flow will render the system self-purifying as regards contamination by molecules and particles in the size range up to pore/space or capillaries. The treatment fluid flow and sucking-up from the surface layer result in the removal of contaminants from the treatment surface. The sorption process which may be influenced by different liquid saturation degrees, and the described passage of substance with the fluid constitute, together with the chemical effects described below, considerable advantages in the invention.

10
15
20
25
30

The treatment fluid in the material will, as a result of its chemical composition, be able to influence the composition in adjacent skin layers and vice versa.

35 Since a flow of treatment fluid is a precondition, chemical equilibrium will not be reached. Diffusion and concentration gradients control the exchange on the mole-



cular level between treatment fluid and the tissue layer being treated. Differences in the osmotic pressure between treatment fluid and surface layer can be utilized for achieving a distribution effect. The inflow of liquid permits viscosity change in adjacent surface layers.

By regulating the fluid saturation degree in the material, it is possible to a certain extent to control the chemical effects. Regulation of fluid temperature and fluid flow rate permit tempering of the treated surface.

Two material layers, possibly with different treatment fluid characteristics according to the invention may permit added influence of each other independent of regulation possibilities.

Treatment fluid is adapted with regard to type, and, by means of additives, to the contemplated goal of treatment under consideration of the above-outlined, possible influences. It is conceivable to influence the liquid sucking of the system by using a capillary-active fluid or by the addition of suitable capillary-active substance.

A gas may be distributed in the cell material, its direction of flow being determined partly by applied pressure or suction, partly in accordance with possible preferential pore direction or controlled by possible fluid-impervious walls. Excess pressure in the material entails gas conveyance to the skin or the tissue and partial vacuum entails suction therefrom.

Operational Example

A. Application to ulcerations (skin damage with tissue loss)

Local treatment at the clinic is effected by means of ointment dressing, wet or dry, possibly tempered dressing, washing or removal by suction of secretions by means of special dressings. Substances of importance for healing are added, antibiotics, bactericides, enzymes



for the degradation of dead tissue. etc.

In itself, the invention constitutes a capillary system with certain similarities to the transport system which supplies the cells of the tissue with nutritive substances and removes degradation products. The invention provides the following treatment possibilities: supply of nutritive substances, oxygen, enzymes for the degradation of necrotic material, the supply of antibiotics, the supply of liquid at optimum pH, the supply of medicaments with particular ulcer effects (zinc, vitamin A etc.). Osmotically active solutions can be supplied. Bacteriostatic or bactericidic solutions may also come into question. The ulcer may quantitatively be hydrated by the assistance of the device according to the invention, and diffusion of treatment agent can, to a certain extent, be controlled. The ulcer wound can be tempered (heat/cooling). Collections of tissue liquid can be removed as a result of the continuous suction effect of the device. The system is self-purifying. As opposed to conventional dressing treatment, regular changes of dressing have proved to be unnecessary. The risk of infection in conjunction with dressing change is hereby reduced. Contaminant articles of a diameter which is greater than the pores of the material can be absorbed against the treatment side of the material and be removed when the material is taken off. In cases of particularly secretive ulcers, it has been possible to change the inner layer of pore material, for example, twice daily, while the outer layer with connections is retained for from one to two days.

Oxygen gas can be supplied, for example, in two layer systems in which the oxygen gas flow is introduced outside a liquid flow adjacent the ulcer. If the inner layer is moderately hydrated, the passage of gas is permitted to the base of the ulcer. Liquid contact prevents, at the same time, drying out. One advantage is



10

that the porous material is inert and is not absorbed into the body. The risk of allergy is minimal.

Compared with conventional treatment, the device according to the invention is very simple to manage and requires fewer personnel. The patient himself can couple in the device. The environment in the ulcer can continuously or intermittently be supplied with different doses of treatment agent. The device can be used when the patient is ambulant. Medical care personnel then apply the cell material with suitable support dressing and an intermediate connecting piece accessible to the patient for connection to the flow conduits. Apart from this, it is required of the patient that he be capable of managing a drip bottle and manual suction assembly. The gains involved in such therapy may be seen in relation to the heavy care costs involved for in-patients.

B. Local treatment of burn injuries to skin

According to conventional local treatment of burn injuries, a dressing is applied, possibly with a liquid absorption capacity (Epigard, Debrisan). The surface is treated with bactericides or bacteriostatic substances or antibiotics. The body is tempered by initial cooling and, later in order to counteract excessive energy losses, heating.

All effects can be provided and dosed by means of the device according to the invention. Burn injuries caused by chemical agents can, according to the invention, rapidly be diluted with antidote, and injurious substances be sucked out of the skin.

C. Application to soft part injuries (inflammation) or fractures with unbroken skin

Local tempering of injured tissue is used as therapy and similarly antiphlogistic substances.

According to the invention, a determined temperature effect can be imparted to an injured part of the body. At the same time, antiphlogistic substances can be added to the treatment fluid which, after skin passage (see D)



further alleviates the reaction.

D. Application to eczema in various phases of inflammation or infection

Local treatment according to conventional methods
5 as disclosed under A may be topical. Often however, use
is made of occlusion treatment. This treatment comprises
a hydrated dressing with a treatment agent and a sealing
material overlaid on the outside. Hydration of intact
10 skin increases the possibilities of diffusion of the
treatment agent many times over. Passage out of the
skin is also facilitated.

The device according to the invention, with adapted
treatment fluid, permits continuous and regulated hydra-
15 tion of the skin with the above-disclosed increase of
the diffusion possibilities for an added treatment agent
- agent which can be replaced by further supply flow
according as it is consumed. Liquid flow and suction
effect also have a purifying influence in that the
20 infective substance, inflammation mediators, degrada-
tion products and oedema are removed.

E. Cosmetic applications

1) According to conventional therapy, use is made, in
the treatment of acne, of antibiotics and radiation with
25 heat effect. The invention is employed with the applica-
tion of a face mask, possibly with tempering and an
addition of antibiotics or antiphlogistic substances
to the treatment fluid.

2) Use in cosmetic indication so as to provide pas-
sage of liquid and molecular substances through the
30 skin into and out of the tissue, for example in the
cosmetic treatment of aging skin (face mask). Localized
heating/cooling of the skin also provides a potential
application in modifying the blood circulation through
the skin for so-called vitalization purposes.

35 F. Other fields of application

Application against bacteria or cell growth substrate
which makes possible a continuous, optimum supply of



growth substances, replacement of substrate substances and removal of the degradation product. Tempering of the environment. Conventional technology does not allow for these effects.

5 A device permitting viability maintenance treatment of skin/tissue in vitro.

The device according to the invention can also be used in industrial and biological contexts, for example as a component in an electrophoresis system or in plant
10 cultivation, in which latter case the cell material 11 with associated shell 10 is in the form of a large material unit in, for example, a greenhouse and functions as a surrogate for earth, nutritive substances for plants of different types being added. The plants
15 take root in the porous system of the material. A looser top surface of the material improves the possibilities for taking root. Regulator means for different nutrition components are conceivably based in the material. The treatment fluid flow in the system may also be influenced
20 in that the inclination of the material unit is varied.

The invention permits continuous dosage of water, fertilizer and nutritive substances. No loss need be suffered of these substances as a result of percolation, because the shell is impermeable. The system precludes
25 the risk of contamination of the ground water with agricultural chemicals. Possibly, the flow can be directed by means of furrow-forming material in which the plants are placed, with intermediate portions of capillary active material. As a result, the quantity
30 of requisite nutritive substances which does not have direct contact with the plants is reduced.



CLAIMS

1. A device for the treatment of tissue, for example skin, comprising a porous material (11) intended for abutment against the tissue, and a fluid-impervious shell or layer (10) which covers the material (11) at least to an extent, characterised in that the porous material (11) consists of at least one cell material with open pores, and that the shell or layer (10) has at least one connection (12) for fluid supply and at least one connection (13) for fluid removal, in spaced apart relationship, in order, by means of conduits coupled to the connections (12, 13), to establish a treatment fluid-flow from the supply connection (12), through the cell material (11) in contact with the tissue, to the removal connection (13) for influencing the tissue by sorptive processes, preferential passage of substances with the treatment fluid flow, chemical processes and tempering.

2. Device according to claim 1, characterised in that the fluid supply is arranged to take place under pressure and/or the fluid removal under suction.

3. Device according to claim 1 or 2, characterised in that electrodes (16) are disposed in the cell material for sensing the fluid saturation degree and registering and/or regulating same by means of valves.

4. Device according to any one of the preceding claims, characterised in that temperature regulating means are disposed in the supply conduit.

5. Device according to any one of claims 1-3, characterised in that temperature regulating means are disposed in the cell material (11).

6. Device according to any one of the preceding claims, characterised in that the cell material (11) has fluid-impervious walls for guiding



treatment fluid therein.

7. Device according to any one of the preceding claims, characterized in that the cell material (11) has, on its side facing the tissue, a preferably replaceable micropore layer.



1/2

FIG. 1

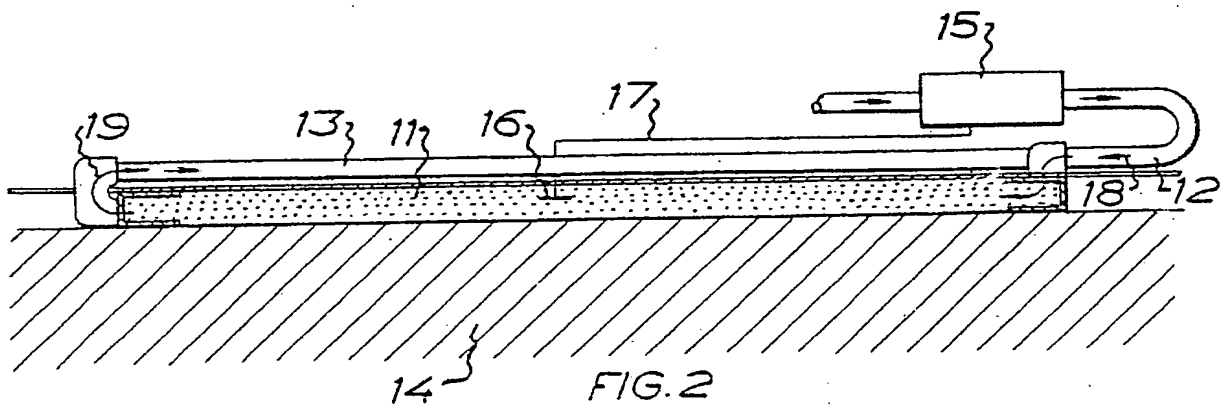
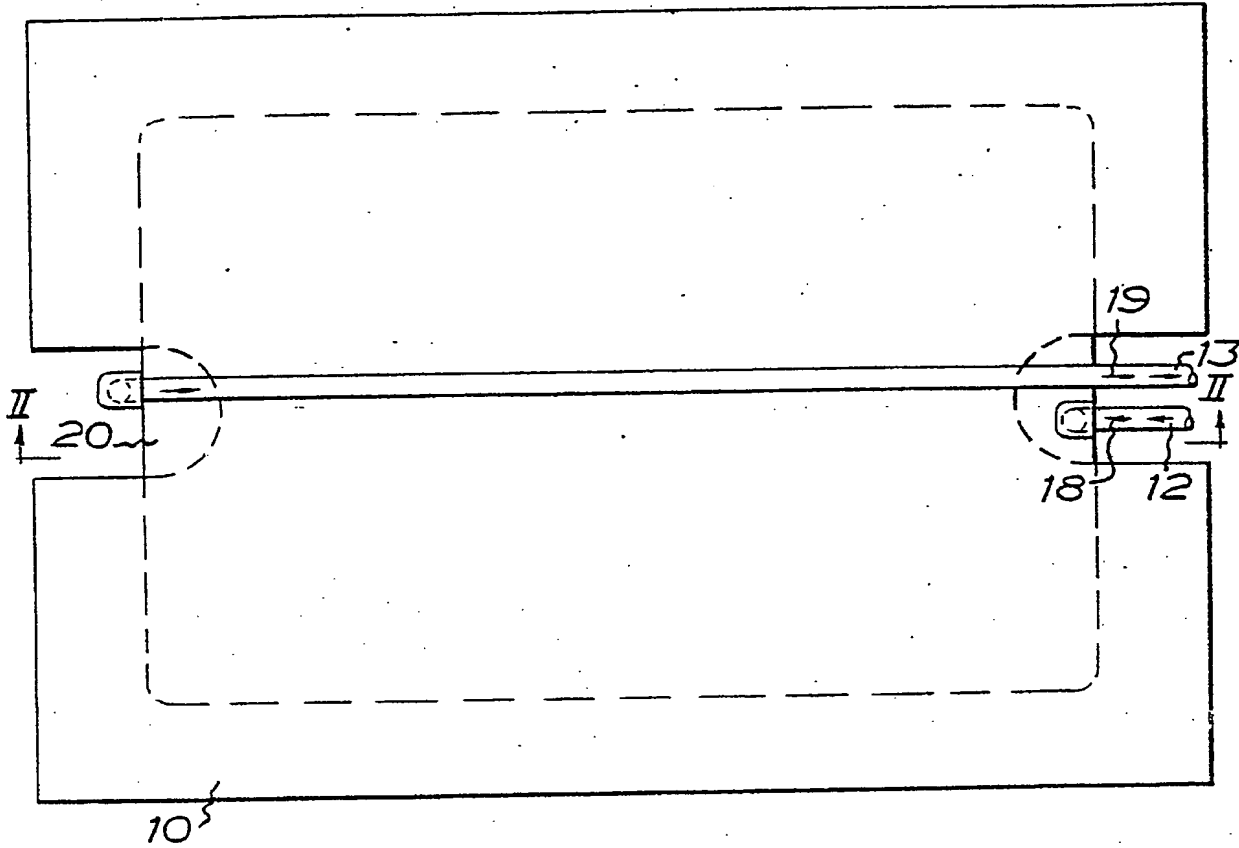


FIG. 2

2/2

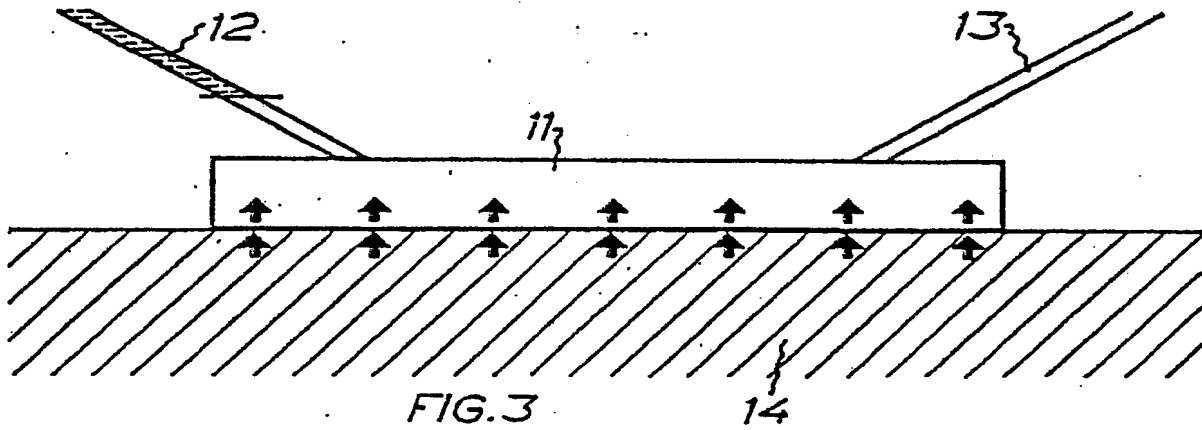


FIG. 3

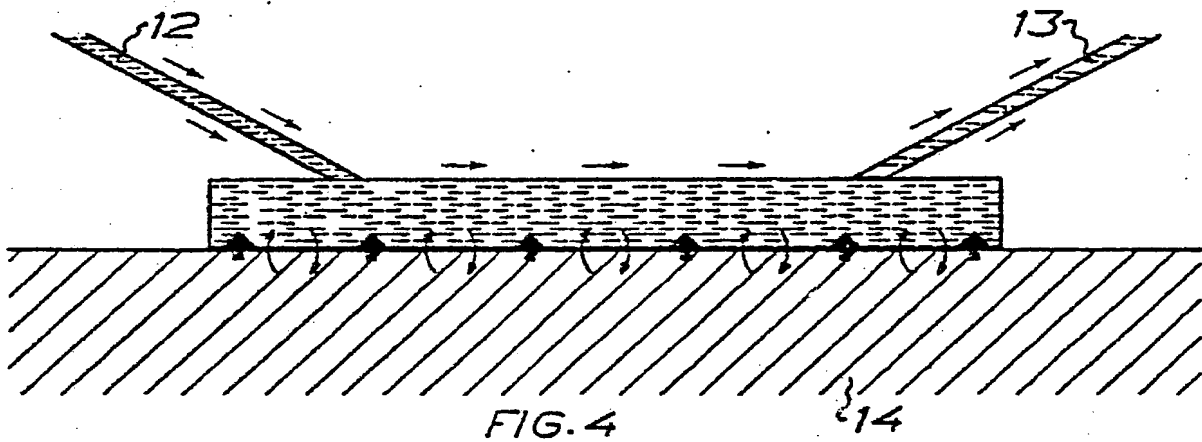


FIG. 4

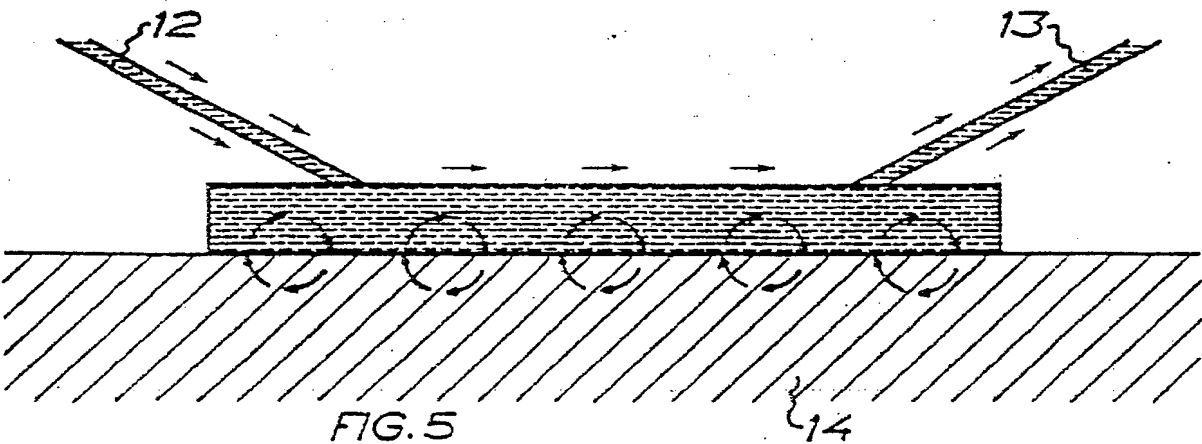
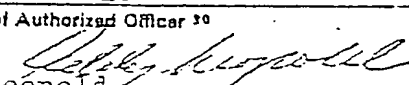


FIG. 5



INTERNATIONAL SEARCH REPORT

International Application No **PCT/SE79/00246**

I. CLASSIFICATION OF SUBJECT MATTER (If several classification symbols apply, indicate all) ³		
According to International Patent Classification (IPC) or to both National Classification and IPC 3		
A 61 F 13/00; A 61 M 35/00; B 05 C 1/00		
II. FIELDS SEARCHED		
Minimum Documentation Searched ⁴		
Classification System	Classification Symbols	
IPC ³ US C1	B 05 C 1/00-04; A 61 M 27/00,35/00,37/00; A 61 F 13/00,02 128:132, 169, 260	
Documentation Searched other than Minimum Documentation to the Extent that such Documents are Included in the Fields Searched ⁴		
SE, NO, DK, FI classes as above		
III. DOCUMENTS CONSIDERED TO BE RELEVANT ¹⁴		
Category ¹⁵	Citation of Document, ¹⁶ with indication, where appropriate, of the relevant passages ¹⁷	Relevant to Claim No. ¹⁸
A	DK, B, 131 270 published 1975, June 23, Imperial Chemical Industries limited	1 - 7
A	DK, B, 131 805 published 1975, September 8, ALZA Corporation	1 - 7
A	DE, A, 2 809 828 published 1978, September 21, E R Squibb and Sons Inc.	1 - 7
A	FR, A, 1 336 118 published 1963, July 22, Mme DESOYE, nee Marguerite DESOYE	1 - 7
A	FR, A, 1 255 501 published 1961, January 30, MM. René AUSCHER, Jean AUSCHER	1 - 7
A	GB, A, 641 061 published 1950, August 2, CRUIKSHANK and FAIRWEATHER	1 - 7
A	US, A, 2 280 915 published 1942, April 28, John H Johnson	1 - 7
A	US, A, 3 026 874 published 1962, March 27, R C Stevens	1 - 7
<p>¹⁵ Special categories of cited documents:</p> <p>"A" document defining the general state of the art</p> <p>"E" earlier document but published on or after the International filing date</p> <p>"L" document cited for special reason other than those referred to in the other categories</p> <p>"O" document referring to an oral disclosure, use, exhibition or other means</p> <p>"P" document published prior to the International filing date but on or after the priority date claimed</p> <p>"T" later document published on or after the International filing date or priority date and not in conflict with the application, but cited to understand the principle or theory underlying the invention</p> <p>"X" document of particular relevance</p>		
IV. CERTIFICATION		
Date of the Actual Completion of the International Search ¹⁹	Date of Mailing of this International Search Report ²⁰	
1980-02-25	1980-02-26	
International Searching Authority ¹	Signature of Authorized Officer ²⁰	
Swedish Patent Office	 Eddy Leopold	

INTERNATIONAL SEARCH REPORT

International Application No **PCT/SE79/00246**

I. CLASSIFICATION OF SUBJECT MATTER (If several classification symbols apply, indicate all) *				
According to International Patent Classification (IPC) or to both National Classification and IPC 3				
A 61 F 13/00; A 61 M 35/00; B 05 G 1/00				
II. FIELDS SEARCHED				
Minimum Documentation Searched *				
Classification System	Classification Symbols			
IPC ³ US C1	B 05 G 1/00-04; A 61 M 27/00,35/00,37/00; A 61 F 13/00,02 128:132, 169, 260			
Documentation Searched other than Minimum Documentation to the extent that such Documents are included in the Fields Searched *				
SE, NO, DK, FI classes as above				
III. DOCUMENTS CONSIDERED TO BE RELEVANT ¹⁴				
Category *	Citation of Document, ¹⁴ with indication, where appropriate, of the relevant passages ¹⁷	Relevant to Claim No. ¹⁸		
A	DK, B, 131 270 published 1975, June 23, Imperial Chemical Industries limited	1 - 7		
A	DK, B, 131 805 published 1975, September 8, ALZA Corporation	1 - 7		
A	DE, A, 2 809 828 published 1978, September 21, E R Squibb and Sons Inc.	1 - 7		
A	FR, A, 1 336 118 published 1963, July 22, Mme DESOYE, ne'e Marguerite DESOYE	1 - 7		
A	FR, A, 1 255 501 published 1961, January 30, MM. René AUSCHER, Jean AUSCHER	1 - 7		
A	GB, A, 641 061 published 1950, August 2, CRUIKSHANK and FAIRWEATHER	1 - 7		
A	US, A, 2 280 915 published 1942, April 28, John H Johnson	1 - 7		
A	US, A, 3 026 874 published 1962, March 27, R C Stevens	1 - 7		
<p>* Special categories of cited documents: ¹⁶</p> <table style="width: 100%; border: none;"> <tr> <td style="width: 50%; border: none;"> <p>"A" document defining the general state of the art</p> <p>"E" earlier document but published on or after the international filing date</p> <p>"L" document cited for special reason other than those referred to in the other categories</p> <p>"O" document referring to an oral disclosure, use, exhibition or other means</p> </td> <td style="width: 50%; border: none;"> <p>"P" document published prior to the international filing date but on or after the priority date claimed</p> <p>"T" later document published on or after the international filing date or priority date and not in conflict with the application, but cited to understand the principle or theory underlying the invention</p> <p>"X" document of particular relevance</p> </td> </tr> </table>			<p>"A" document defining the general state of the art</p> <p>"E" earlier document but published on or after the international filing date</p> <p>"L" document cited for special reason other than those referred to in the other categories</p> <p>"O" document referring to an oral disclosure, use, exhibition or other means</p>	<p>"P" document published prior to the international filing date but on or after the priority date claimed</p> <p>"T" later document published on or after the international filing date or priority date and not in conflict with the application, but cited to understand the principle or theory underlying the invention</p> <p>"X" document of particular relevance</p>
<p>"A" document defining the general state of the art</p> <p>"E" earlier document but published on or after the international filing date</p> <p>"L" document cited for special reason other than those referred to in the other categories</p> <p>"O" document referring to an oral disclosure, use, exhibition or other means</p>	<p>"P" document published prior to the international filing date but on or after the priority date claimed</p> <p>"T" later document published on or after the international filing date or priority date and not in conflict with the application, but cited to understand the principle or theory underlying the invention</p> <p>"X" document of particular relevance</p>			
IV. CERTIFICATION				
Date of the Actual Completion of the International Search *	Date of Mailing of this International Search Report *			
1980-02-25	1980-02-26			
International Searching Authority ¹	Signature of Authorized Officer ²⁰			
Swedish Patent Office	Eddy Leopold			